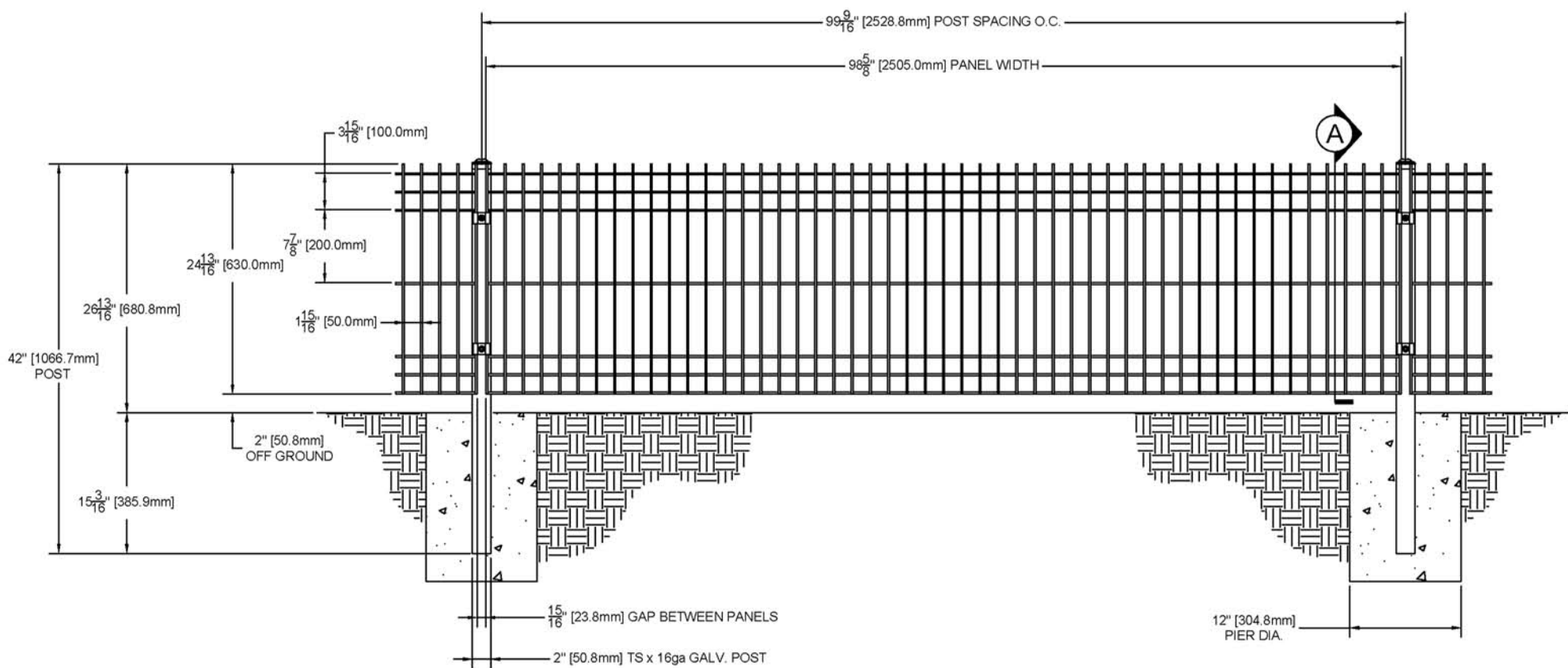
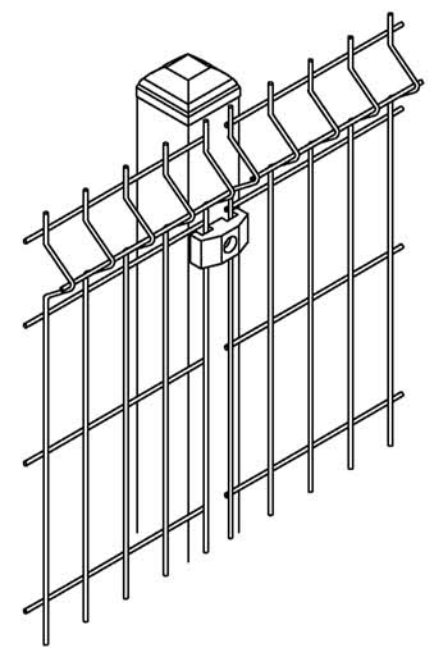


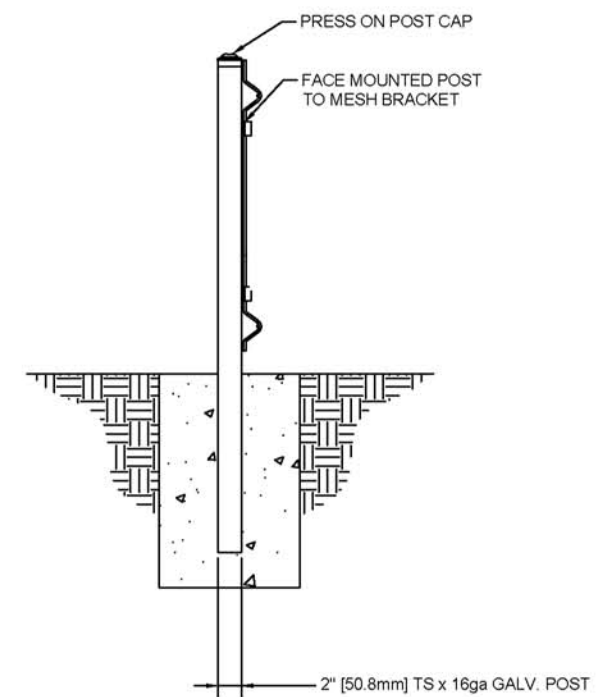
**8'W X 2'H STANDARD
WELED MESH FENCE
TYPICAL ELEVATION**

PROJECT NAME :	SALES ORDER	SOXXXXX
CUSTOMER :	STORE #	XXXX

VIEW:		
SCALE:	ZHANG	
DRAWN BY:	ZHANG	
CHECKED BY:		
APPROVED BY:		
DATE:	18-JAN-16	
FILE:	8'W x 2'H	
REV	DATE	DRAFTER
1		



1 8'W x 2'H PANEL ELEVATION
SCALE: ZHANG



A 8'W x 2'H PANEL SECTION
SCALE: ZHANG