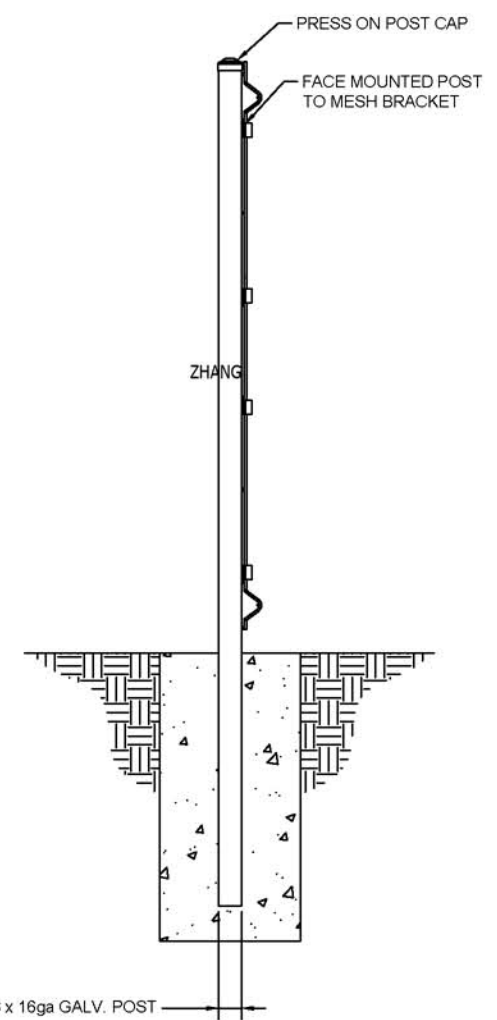


① 8'W x 4'H PANEL ELEVATION



Ⓐ 8'W x 4'H PANEL SECTION

SCALE: ZHANG

SCALE: ZHANG

**8'W X 4'H STANDARD
WELDED MESH FENCE
TYPICAL ELEVATION**

VIEW:		
SCALE:	ZHANG	
DRAWN BY:		
CHECKED BY:		
APPROVED BY:		
DATE:	18-JAN-16	
FILE:	8'W x 2'H	
REV	DATE	DRAFTER
1		

PROJECT NAME:	PROJECT NAME	SALES ORDER	SOXXXXX
CUSTOMER:	CUSTOMER	STORE #	XXXX