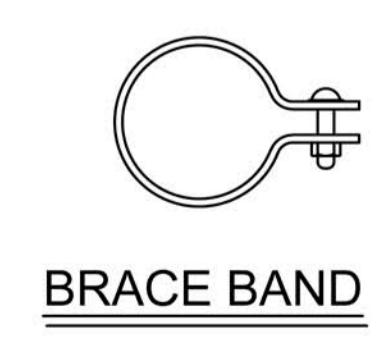
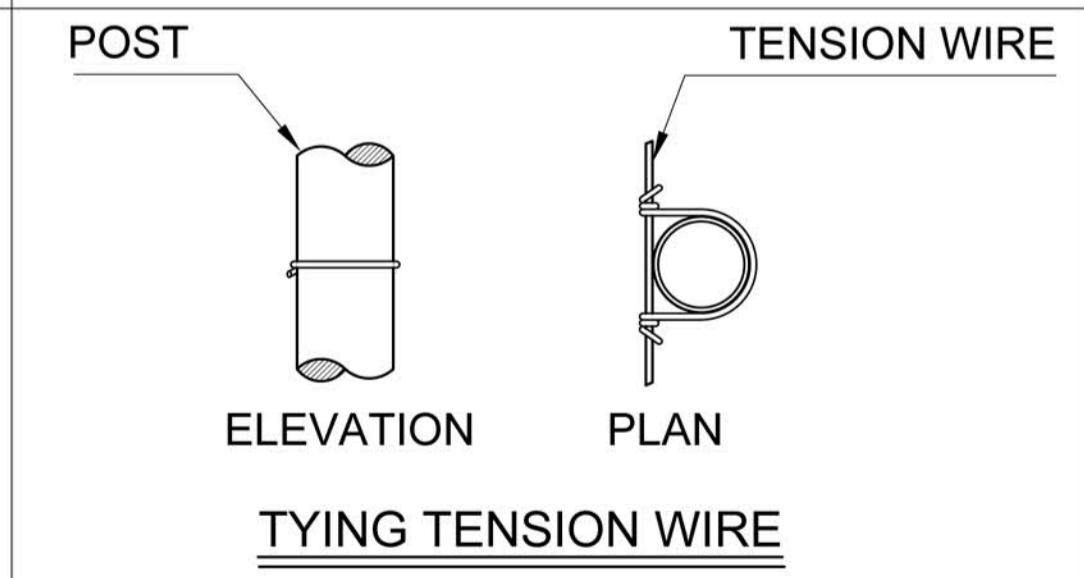
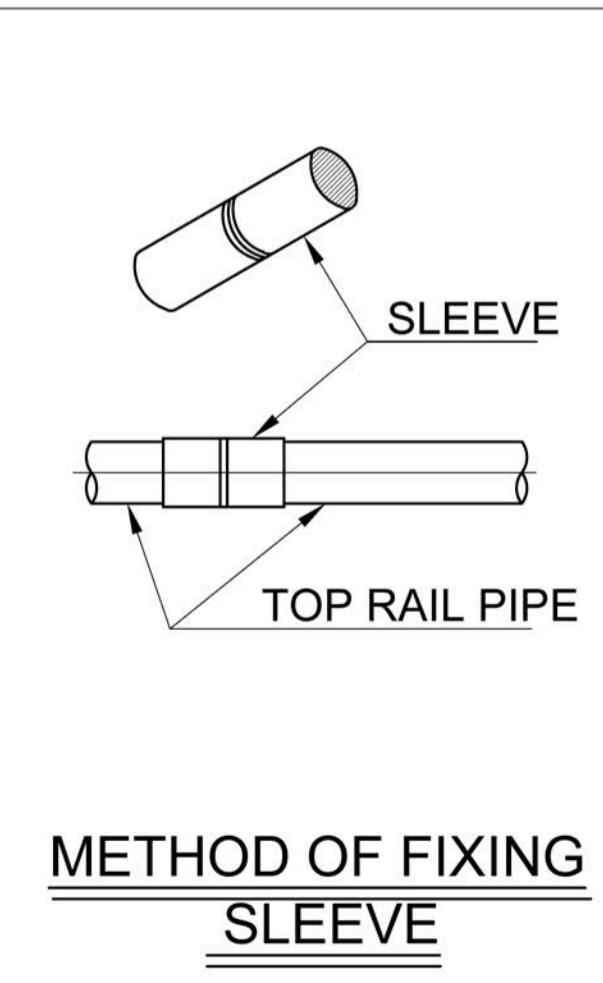
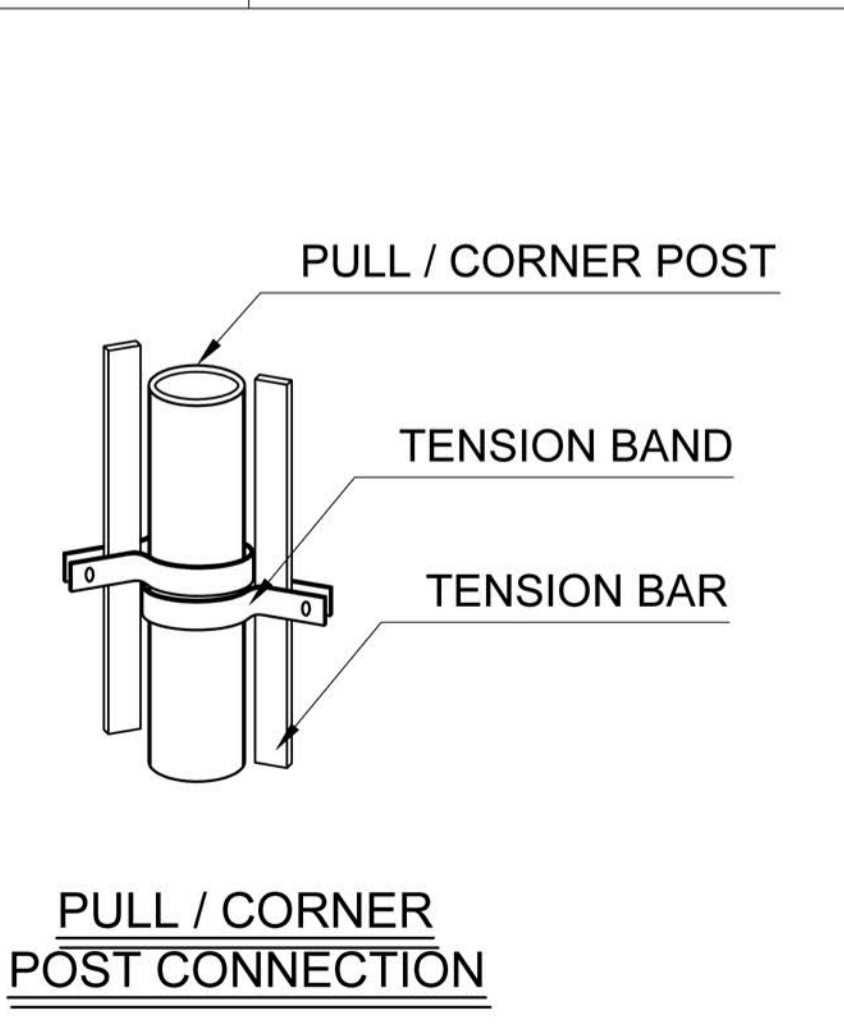
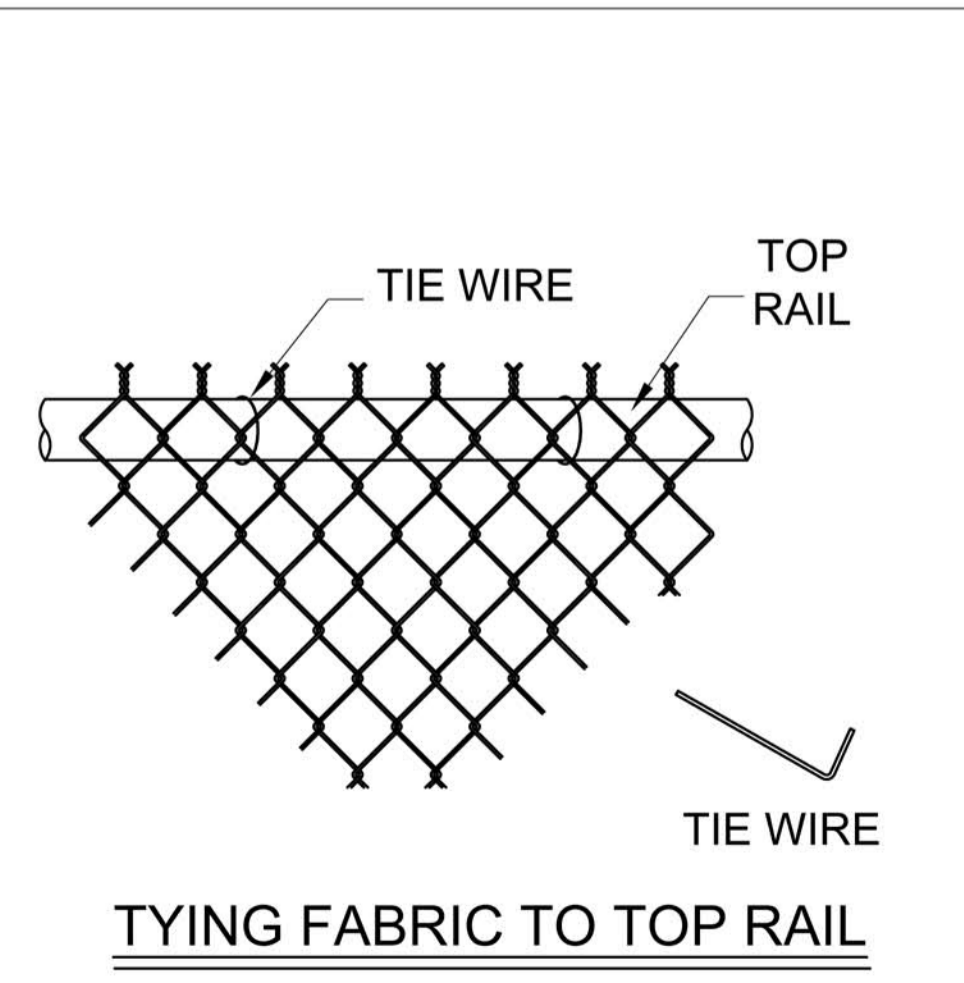
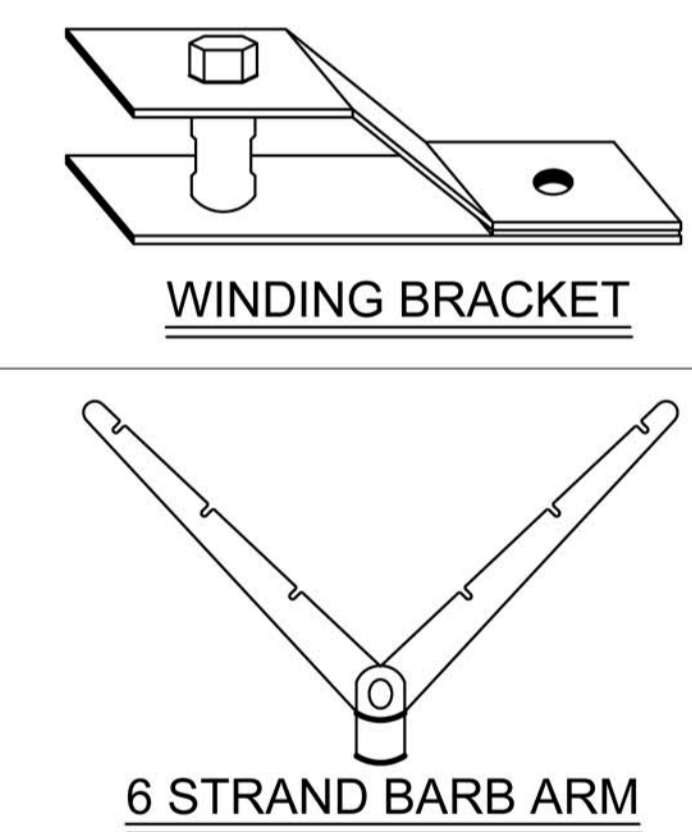
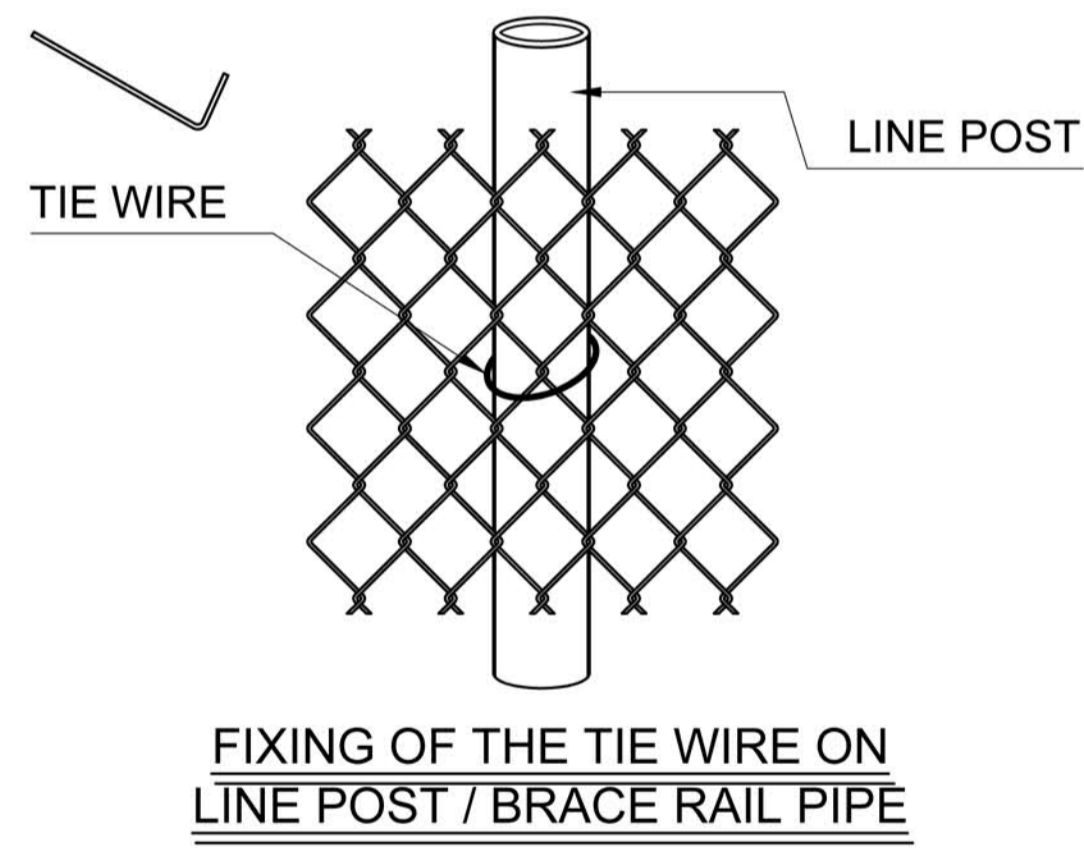
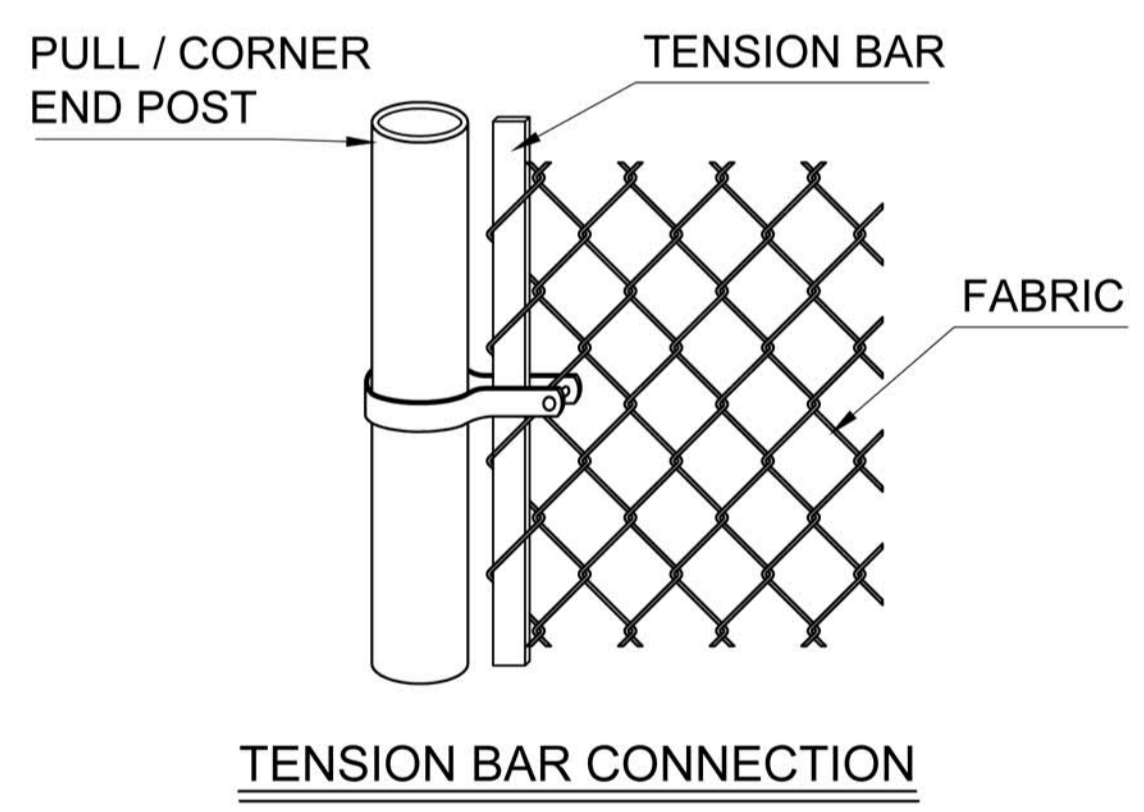
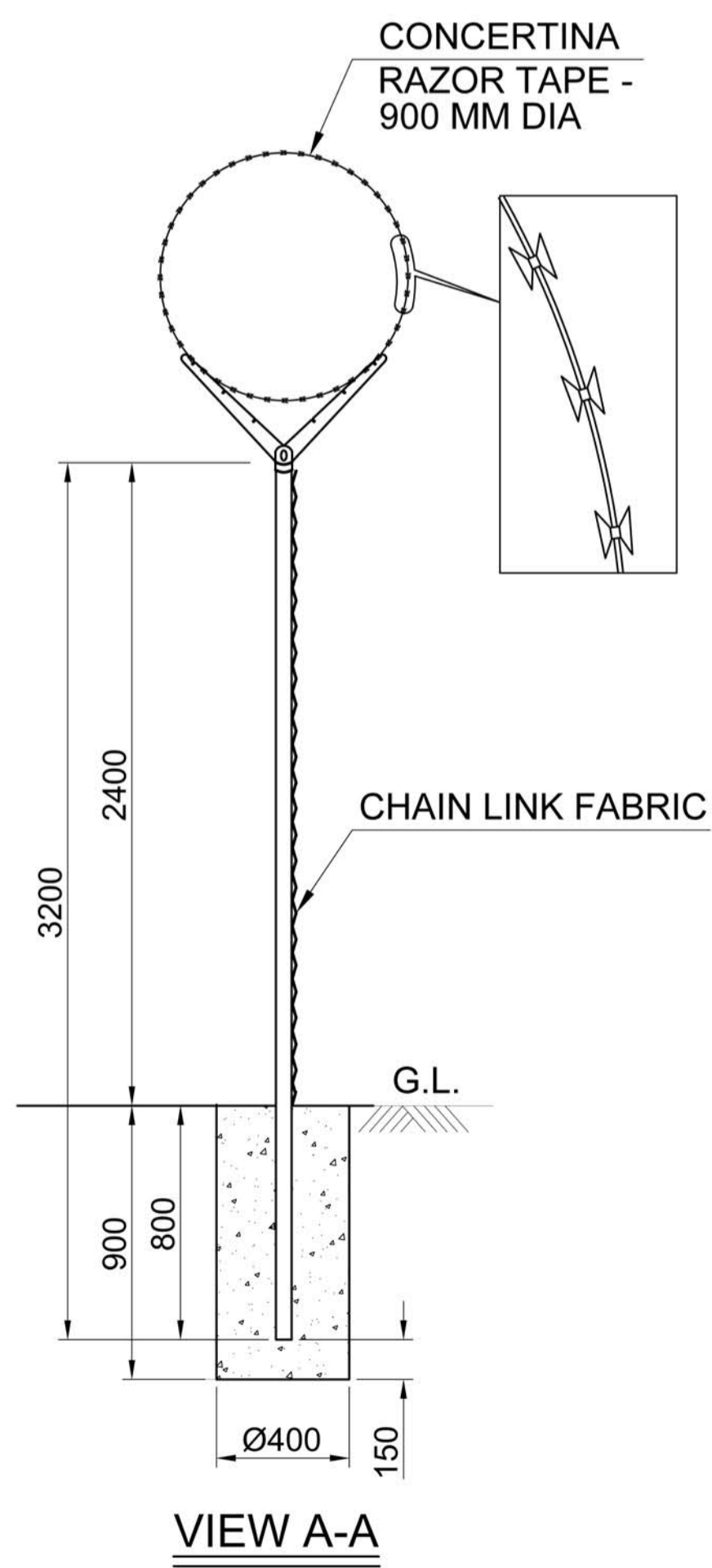


NOTES

LINE POST	60.3mm O.D. x 3.91mm w/t.
PULL / CORNER / END POST	73.0mm O.D. x 5.16mm w/t.
BRACE RAIL PIPE	42.2mm O.D. x 3.56mm w/t
FABRIC	GALV. + PVC COATED
TENSION WIRE	4.88mm O.D. x 3.76mm CORE
BARBED WIRE	GALVANISED + PVC COATED

- 1) **FABRIC** :- 50x50mm DIAMOND MESH, 4.88 mm O.D. x 3.76 mm CORE, GALV. + PVC COATED, BARBED SELVAGE,
- 2) **FITTINGS** :- GALVANISED + PVC COATED.
- 3) **PIPES** :- GALVANISED + PVC COATED, CONFORMS TO ASTM A53, SCH - 40.
- 4) **BARBED WIRE** :- GALVANISED + PVC COATED BARBED WIRE "IOWA" PATTERN, 2 PLY, 4 POINT STRAND WIRE 2.5mm O.D. GALVANISED BARBING WIRE 2.0 mm DIA. SPACING BETWEEN BARBS 101 mm.
- 5) **CONCERTINA RAZOR TAPE**- GALVANISED MEDIUM BLADE RAZOR TAPE CONCERTINA TO USMIL-B-52489 WITH 2.50MM GALVANISED STEEL CORE WIRE, 0.5MM THICK BARBED TAPE, COIL DIA 900 MM, EXTEND LENGTH IS APPROX 12 M



LINKLAND CHINA
 www.ChinaFencewiremesh.com P# +86 1803889188
 Email: Sales@ChinaFencewiremesh.com

HIGH SECURITY CHAIN LINK FENCE		SALES ORDER	8000000
PROJECT NAME	PROJECT NAME	STORE #	0000
PROJECT NAME	CUSTOMER		
VIEW	SCALE	DRAWN BY	ZHANG
CHECKED BY		APPROVED BY	ZHANG
DATE	18-JAN-16	FILE #	
REV	DATE	DRAFTER	
1			