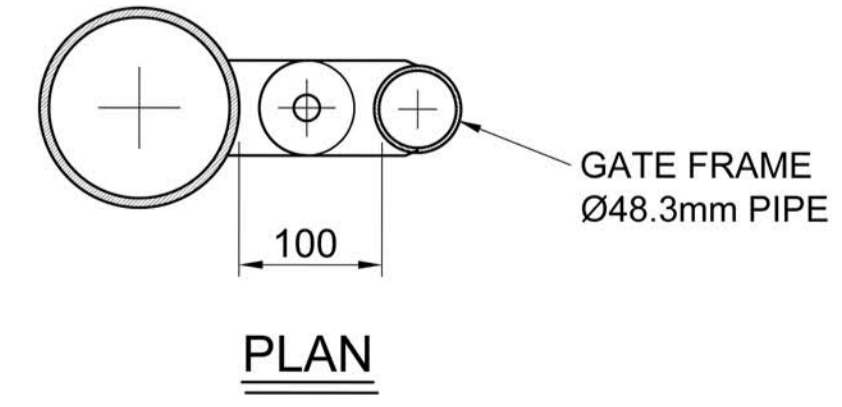
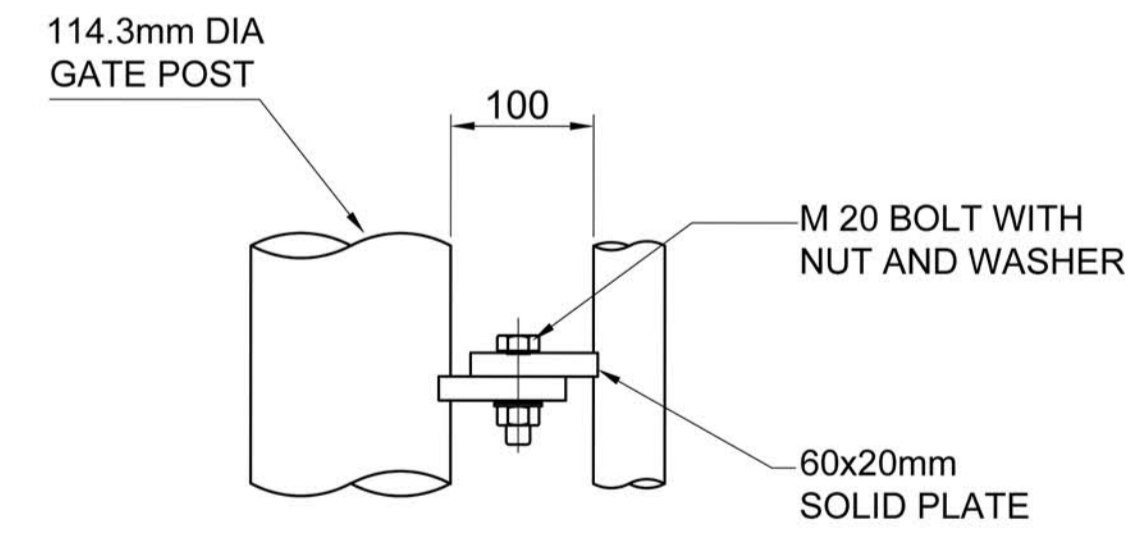
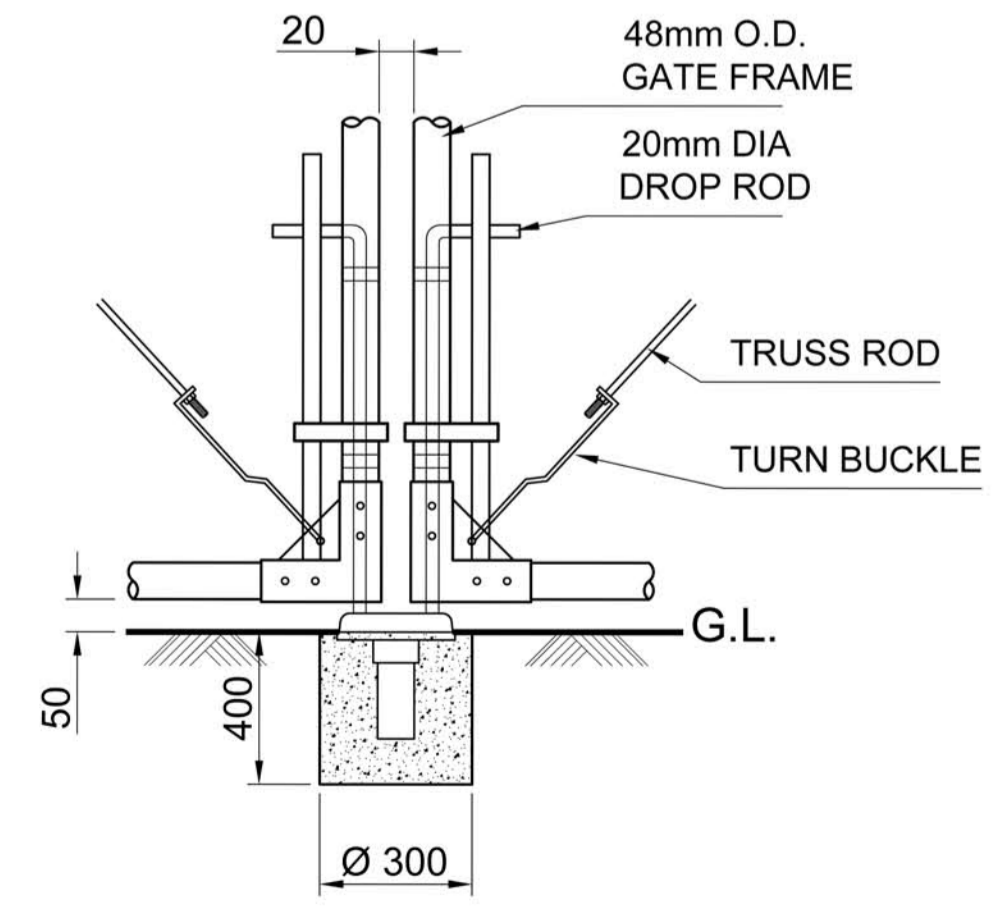
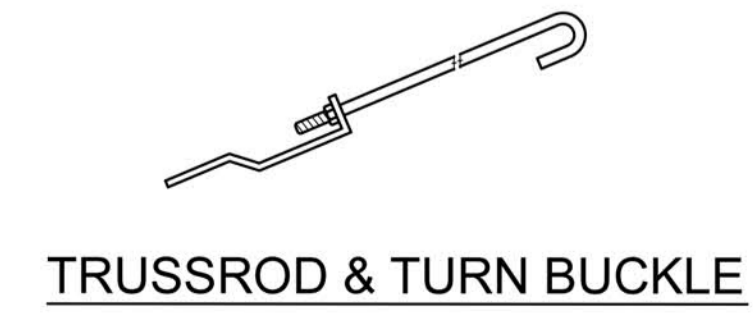
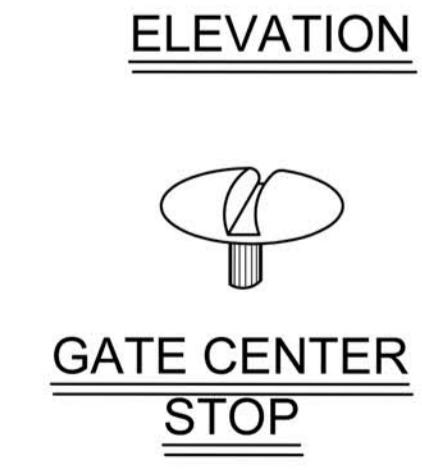
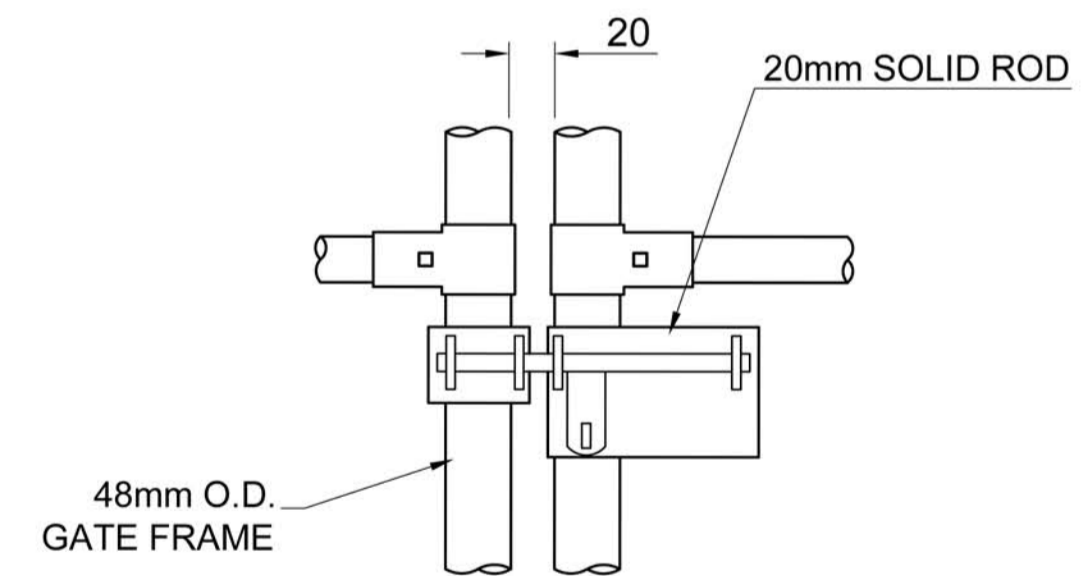
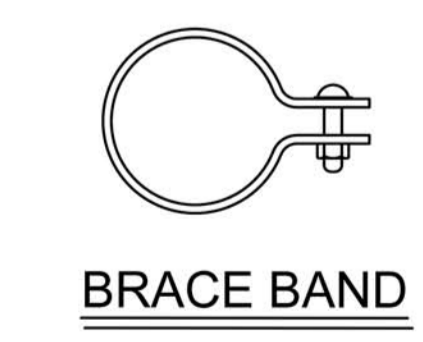
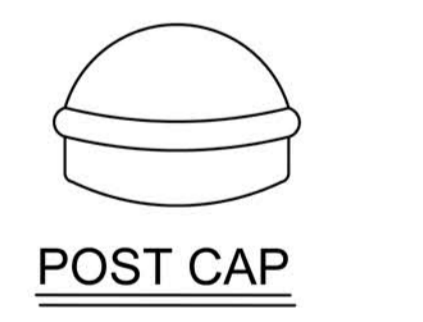
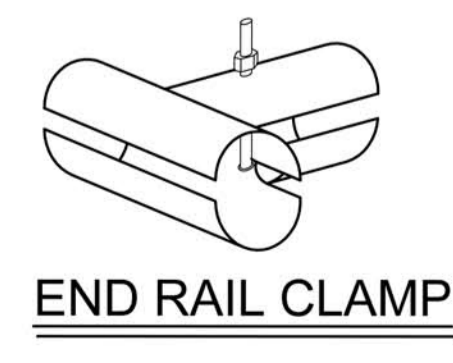
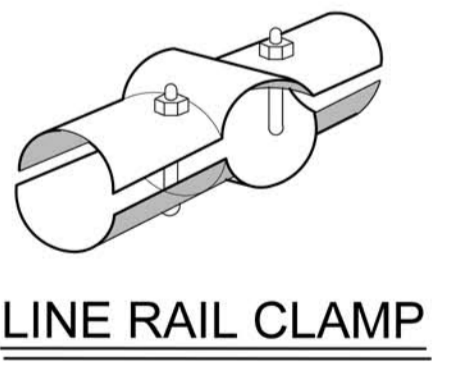


GATE FRAME DETAIL

NOTES

GATE POST (D/L GATE)	114.3mm O.D. x 6.02mm WALL THICK GALVANISED + PVC COATED
GATE FRAME	48.3mm O.D. x 3.68mm WALL THICK GALVANISED + PVC COATED
GATE BRACING	42.2mm O.D. x 3.56mm WALL THICK GALVANISED + PVC COATED
FABRIC	GALVANISED + PVC COATED
BARBED WIRE	GALVANISED + PVC COTATED

- FABRIC** :- 50x50mm DIAMOND MESH, 4.88 mm O.D. x 3.76 mm CORE, GALV. + PVC COATED, BARBED SELVAGE, CONFORMS TO AASHTO - M181.
- FITTINGS** :- GALVANISED + PVC COATED.
- PIPES** :- GALVANISED + PVC COATED, CONFORMS TO ASTM A53, SCH - 40.
- BARBED WIRE** :- PVC COATED BARBED WIRE "IOWA" PATTERN, 2 PLY, 4 POINT STRAND WIRE 2.5mm O.D. PVC COATED, BARBING WIRE 2.0 mm DIA. GALV. SPACING BETWEEN BARBS 101 mm.



GATE HINGE DETAIL

LINKLAND™ CHINA
 www.chinafencewiremesh.com PH: +86 18033895188
 Email: Sales@ChinaFenceWireMesh.com

HIGH SECURITY CHAIN LINK FENCE GATE	SALES ORDER	8000000	STORE #	XXXX
	PROJECT NAME		CUSTOMER	
	VIEW	ZHANG		
	SCALE	ZHANG		
	CHECKED BY			
	APPROVED BY			
	DATE	18-JAN-16		
	FILE			
REV	DATE	DRAFTER		
1				